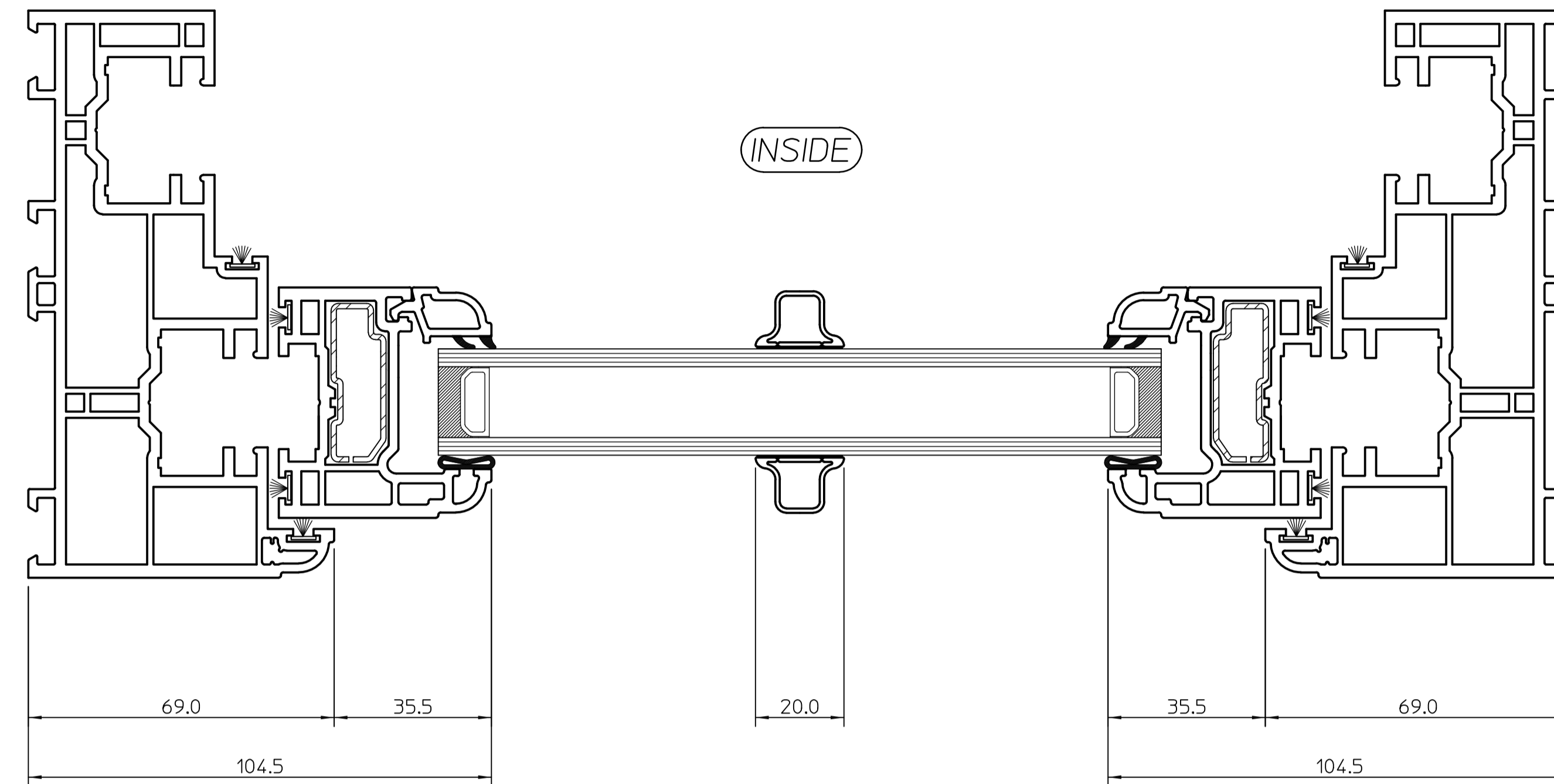
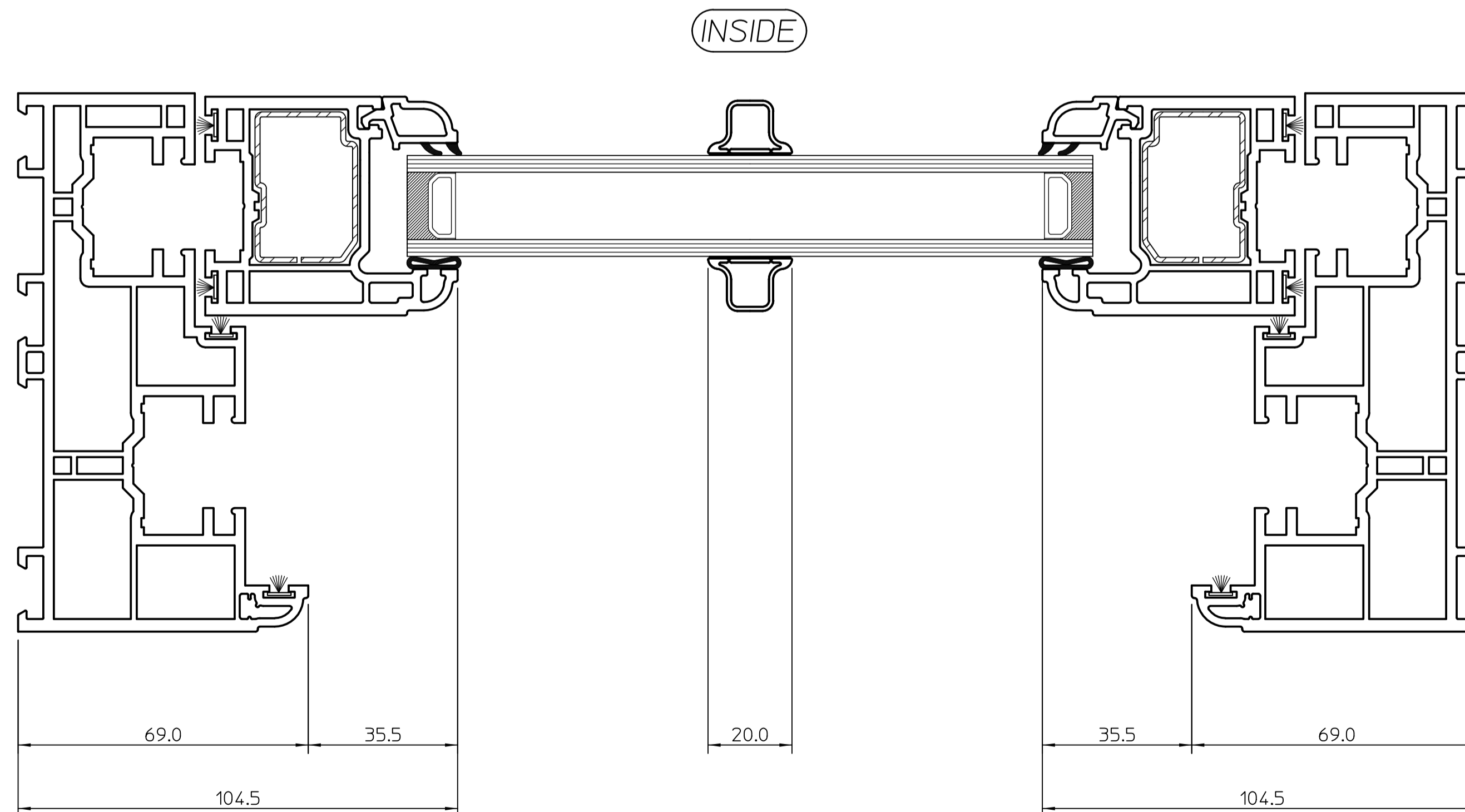


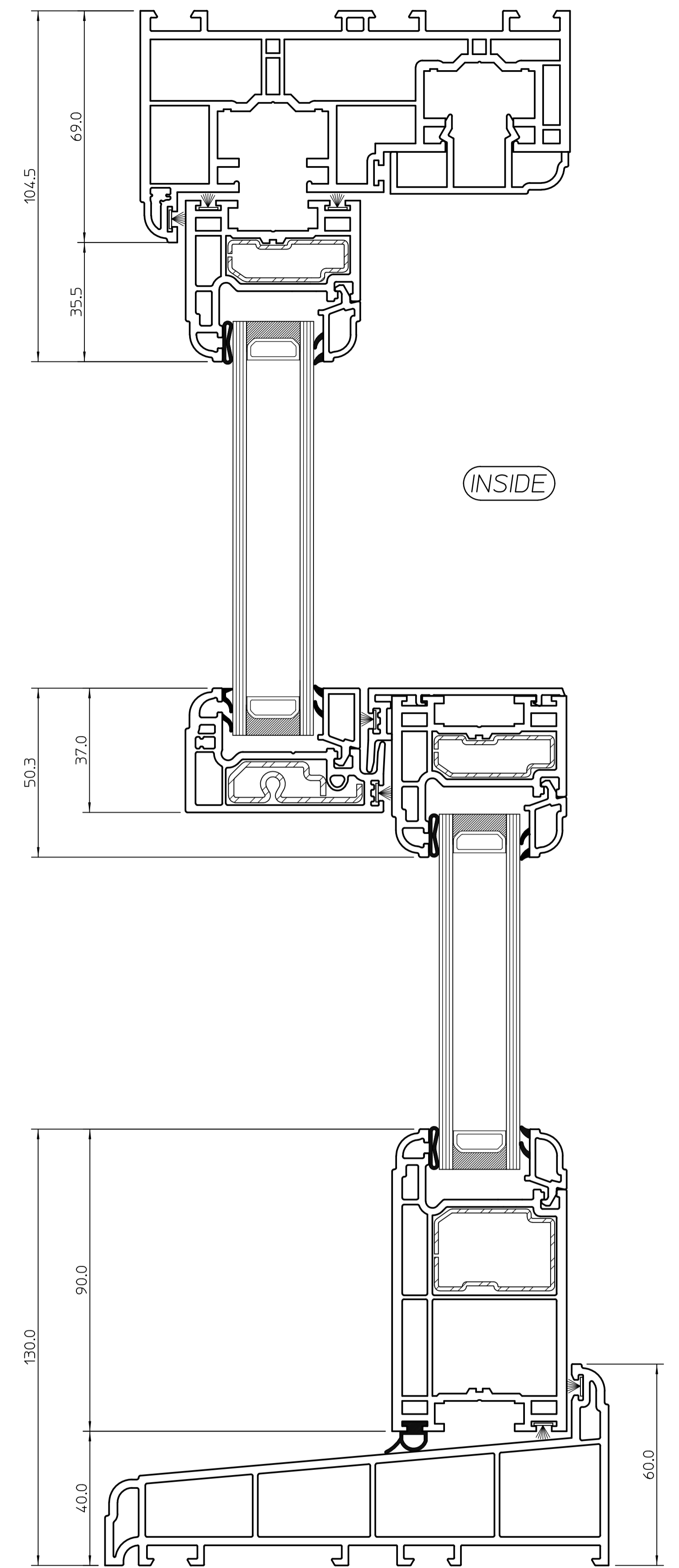
1:10 ELEVATION



SECTION 'B-B'



SECTION 'C-C'



SECTION 'A-A'

Epwin Group

WINDOW SYSTEMS
DIVISION
Stafford Park 6, Telford, Shropshire TF3 3AT
Tel: 01952 290910 Fax: 01952 290460

A	22/08/2025	S.W.
Title: QUICKSLIDE LEGACY SLIM RAIL VERTICAL SLIDER ELEVATION AND SECTIONS		
Drawn By: S.W.	Date: 22/08/2025	Approved: [Signature]
Scale: 1:10 & 1:1	at A1	Drawing No: 7585
Issue: A		