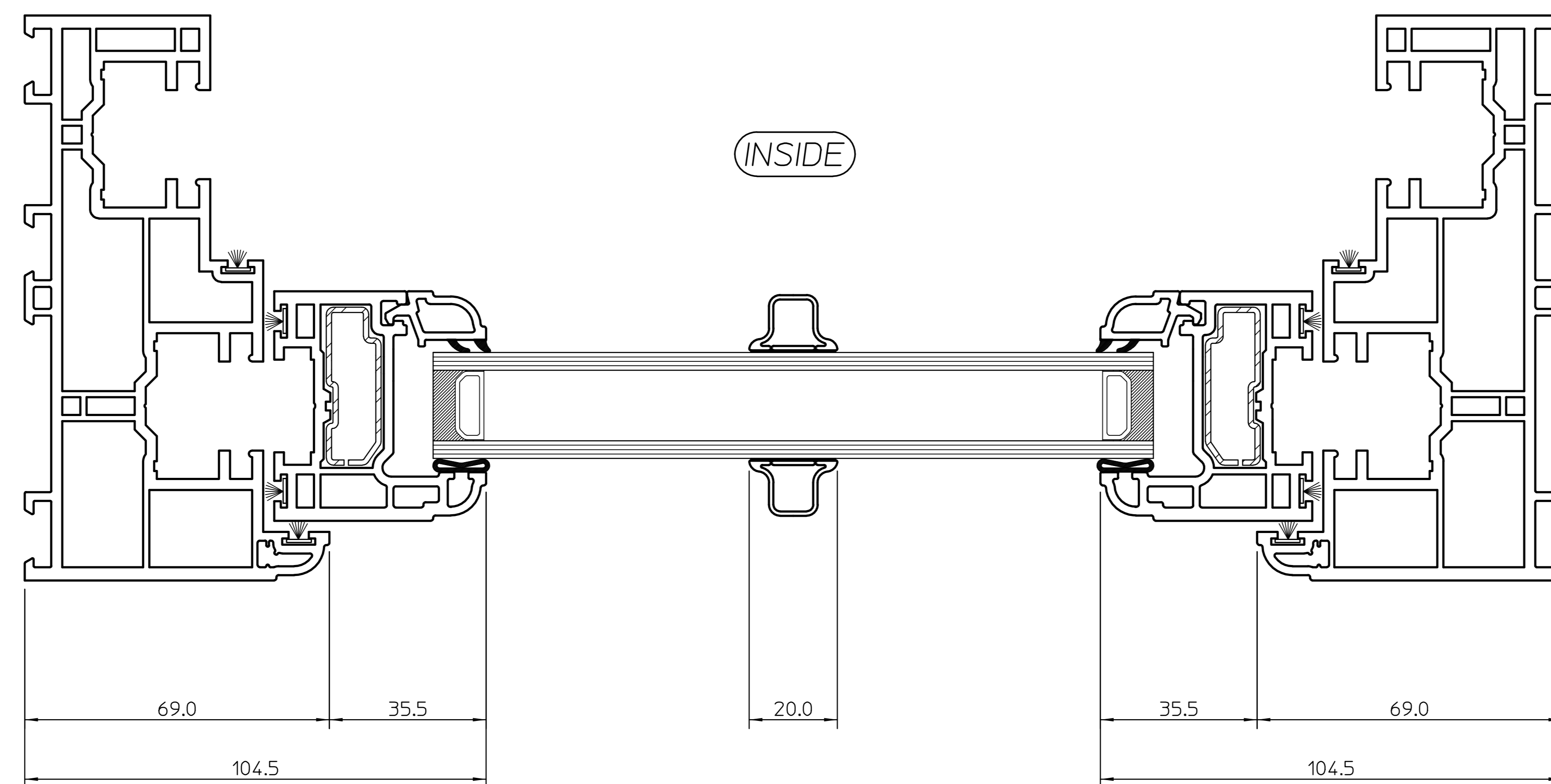
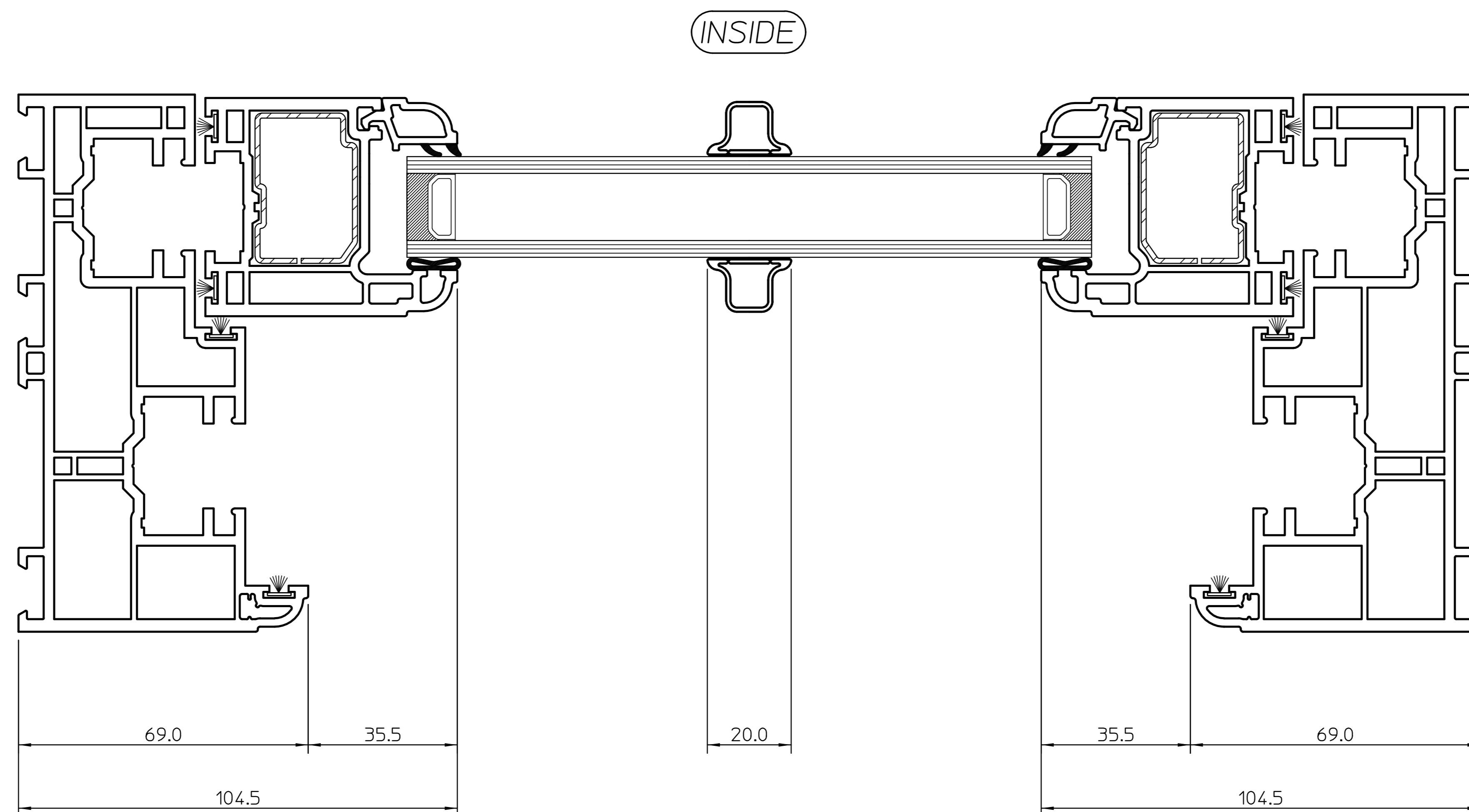


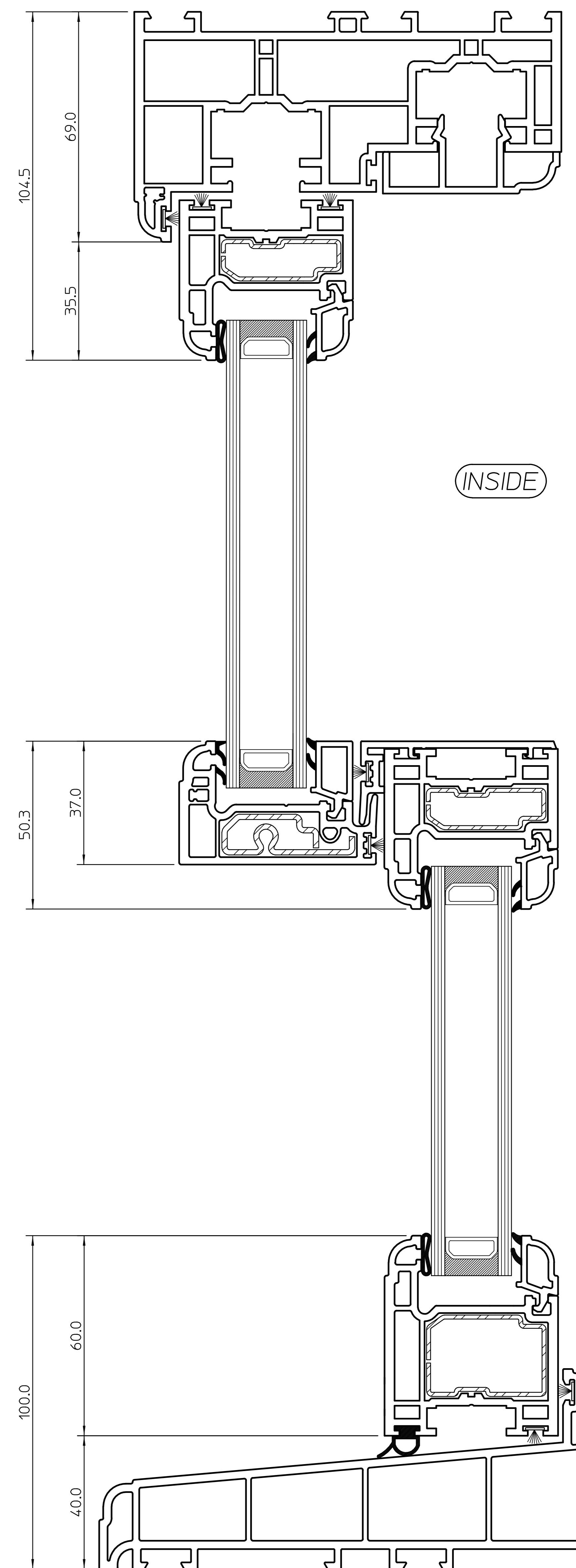
1:10 ELEVATION



SECTION 'B-B'



SECTION 'C-C'



SECTION 'A-A'

Epwin Group
WINDOW SYSTEMS
DIVISION
Stafford Park 6, Telford, Shropshire TF3 3AT
Tel: 01952 280810 Fax: 01952 280460

| | | | | | | |
|-----------|------------|---|------------|-------|-------------|--------|
| A | | | | | 10/07/2024 | G.G. |
| Title: | | QUICKSLIDE LEGACY SLIM RAIL VERTICAL SLIDER ELEVATION AND CROSS | | | | |
| Drawn By: | Date: | Approved: | Scale: | of A1 | Drawing No: | Issue: |
| G.G. | 10/07/2024 | | 1:10 & 1:1 | | 7532 | A |