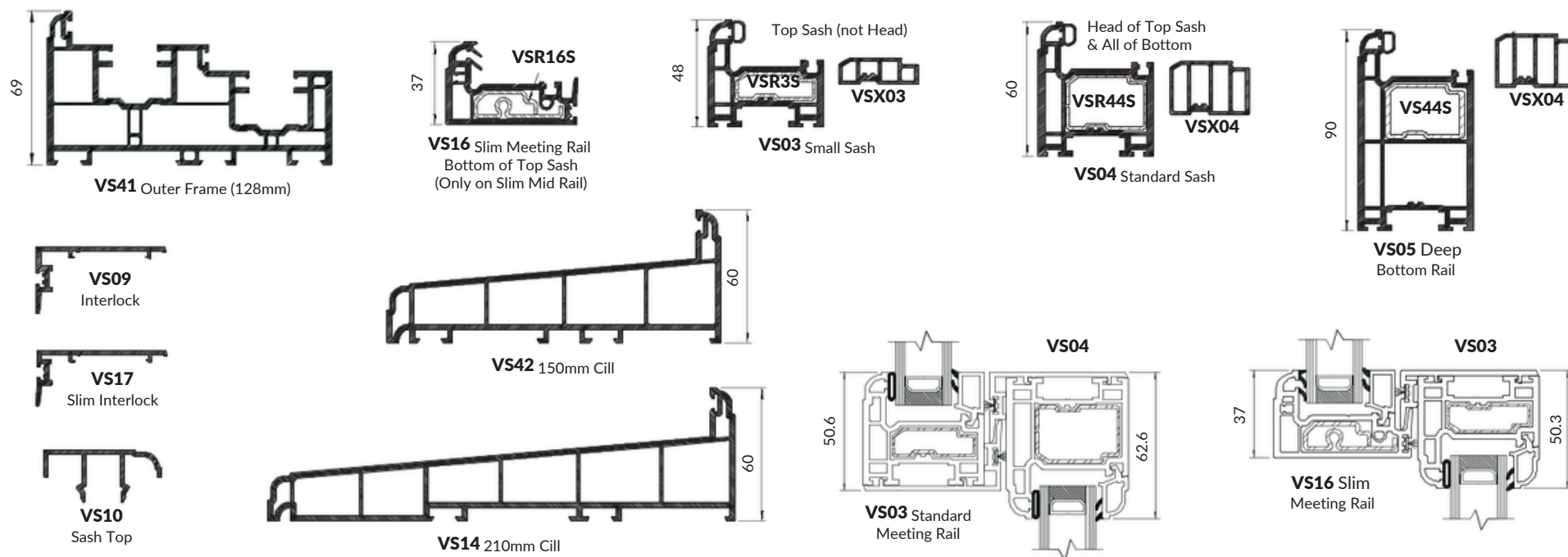


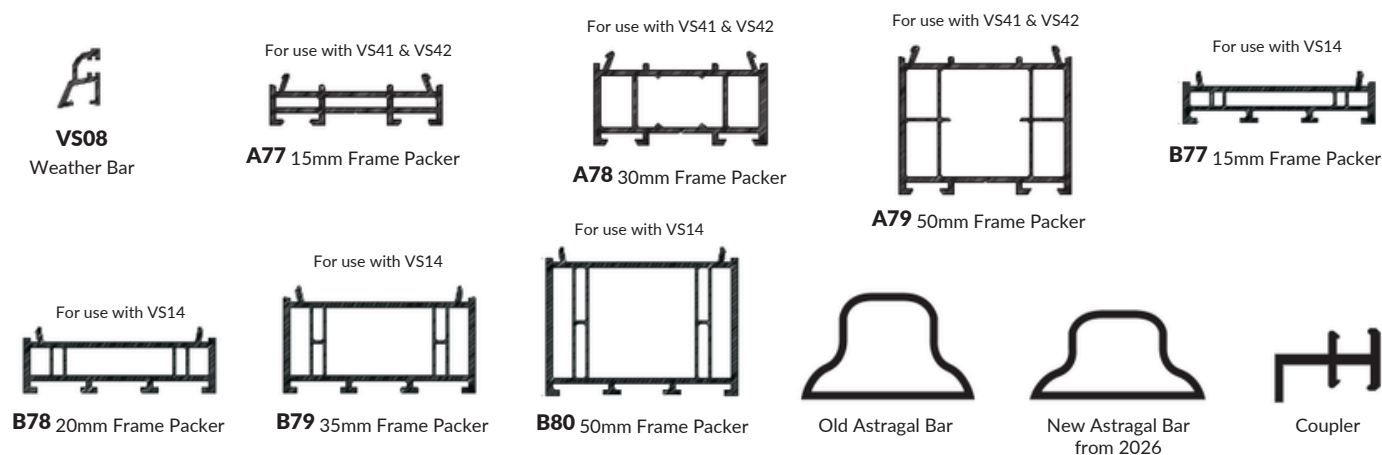
# Legacy™

uPVC  
Sliding Sash

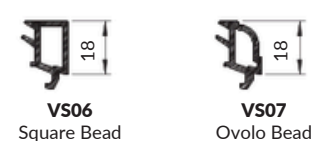
## Main Profiles & Reinforcements



## Ancillary Profiles



## Glazing Beads



The Square bead is only used on the bottom of the top sash for the keeps to sit flush on. The Ovolo bead is used for glazing the rest of the sashes.

## Ancillary Components

